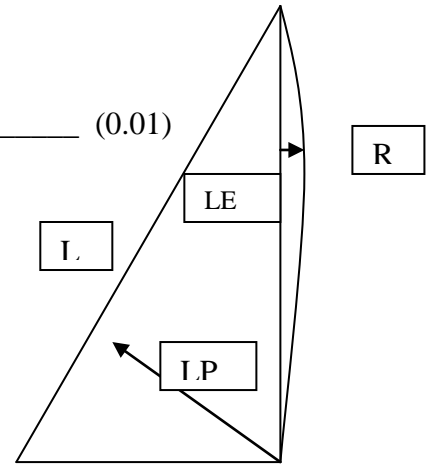


Headsail

$$(0.5 \times L \times LP) + (0.66 \times LE \times R)$$

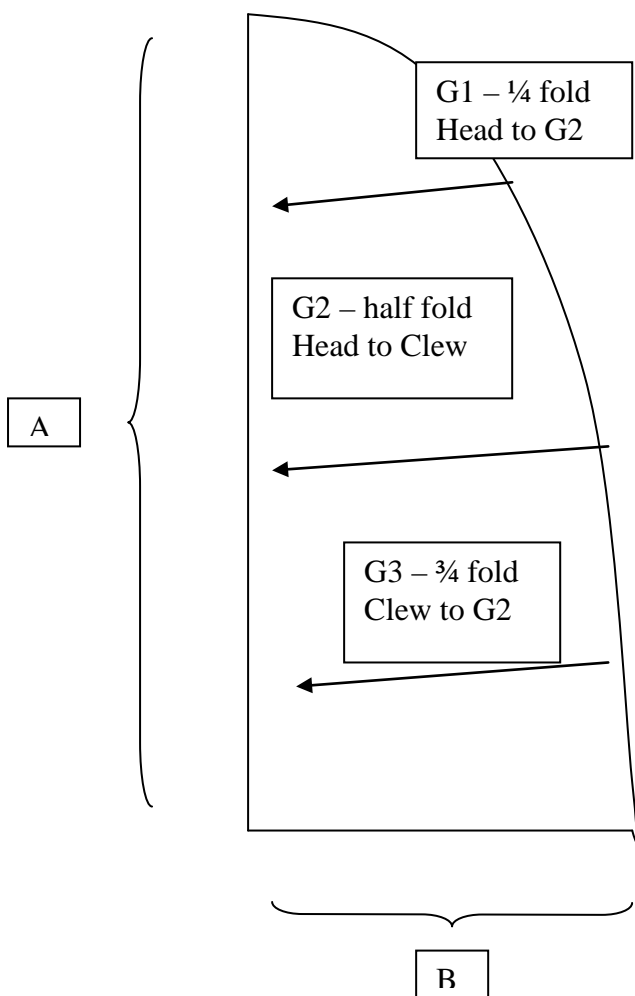
$$(0.5 \times \quad \times \quad) + (0.66 \times \quad \times \quad) = \quad (0.01)$$



Mainsail

$$0.25 A (G1 + G2 + G3 + 0.5 B) =$$

$$0.25 \quad (\quad + \quad + \quad + 0.5 \quad) = \quad (0.01)$$



A and B entered into Measurement Certificate.
 Size + Max Headsail size placed on Port side.
 Max Headsail = 18.58 – Mainsail M2.

Measuring.

Sail No. _____
Boat Name. _____
Builder. _____
Design. _____
Year Built. _____

Date Measured. _____

Checked.

Hull Length. 4267mm.

Beam. 1830mm

Bowsprit length < 900mm
Diameter < 140mm
Bobstay < 13m thick
< 76mm wide
< 457mm from sheer.

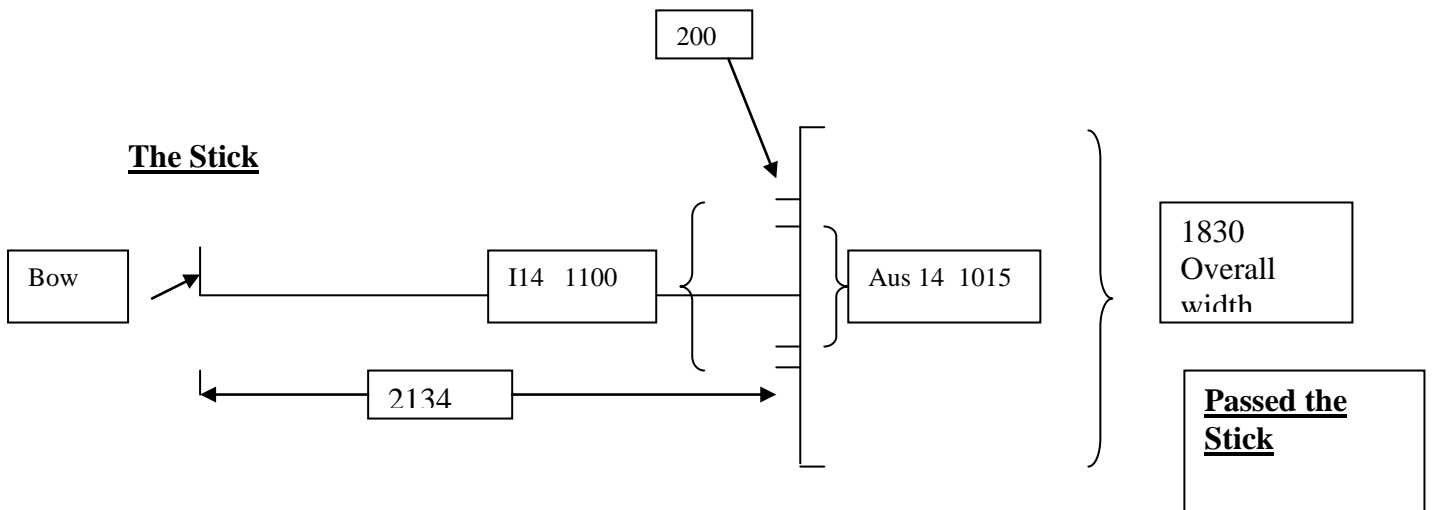
Forestay < 300mm out.

Mast Black Bands from sheer 7626mm or less.

Spin Halyard block. No part > 76mm from mast or above 7626mm.

Spin Pole Extension. < 2743mm from bow. Not exceeding 900mm retracted.

Weight Correctors. Total Weight. 74.25Kg



Date. _____

Boat Owner. _____ Measurer. _____

